

## Data sheet

**Item number** 5050100;5095.2

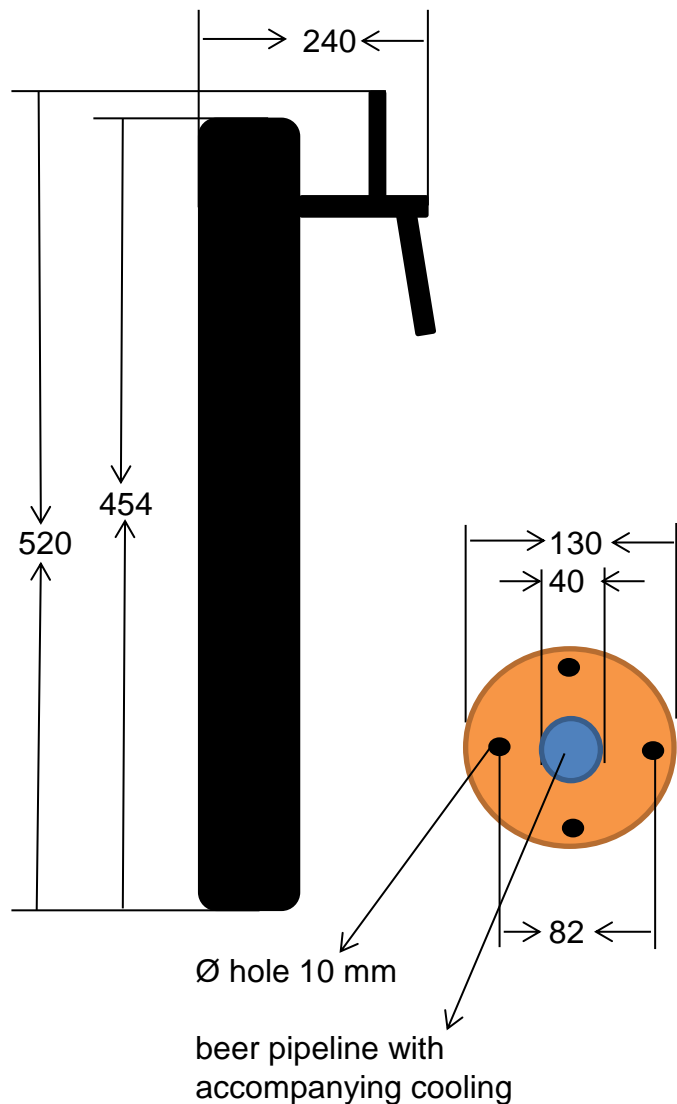
**Description** universal draught pipe 2 pipelines, round, Ø 130 mm

### Technical data

**Measure** H 520, Ø 130 in mm

**Colour** stainless steel matt

**Weight** 7 kg



**Miscellaneous**  
with accompanying cooling