

Data sheet

Item number 5020110;5070.2

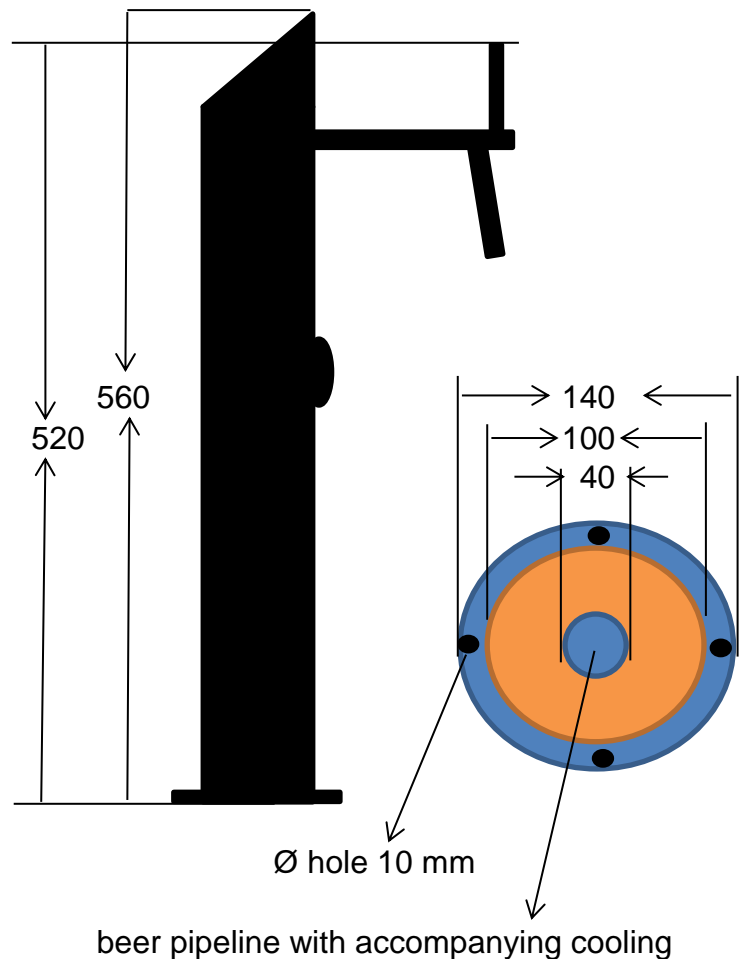
Description draught pipe 45°, 2 pipelines, round, Ø 100 mm
Universal I-Tower

Technical data

Measure H 560, Ø 140 in mm

Colour chrome

Weight 8 kg



Miscellaneous
with accompanying cooling