

## Data sheet

**Item number** 5010110;5060.5

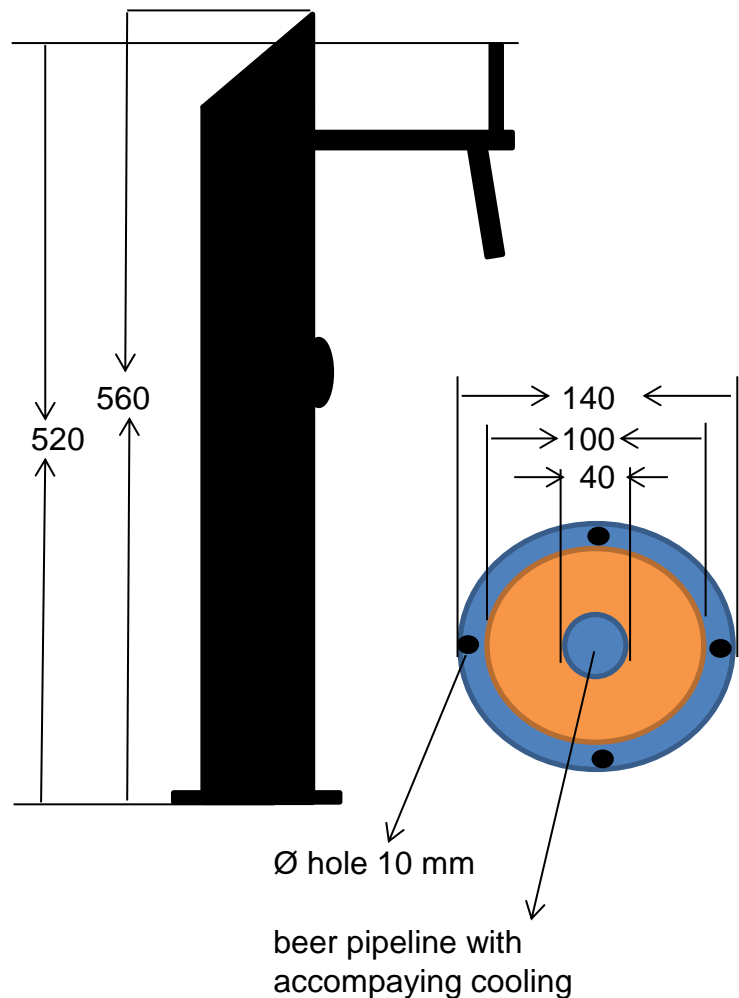
**Description** draught pipe, 1 pipeline, I-Tower 45°

### Technical data

**Measure** H 560, Ø 140 in mm

**Colour** stainless steel

**Weight** 5 kg



**Miscellaneous**  
with accompanying cooling